

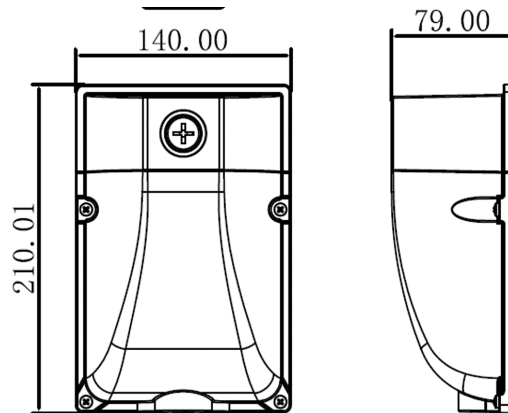
26-Watt Wall Pack Light



PRODUCT DESCRIPTION

This LED wall pack light is designed for exceptional energy efficiency, delivering substantial cost savings. Its CCT selectable feature enables users to adjust the color temperature, offering flexibility in lighting preferences suitable for diverse applications and environments. Built for durability and reliability, it's perfect for outdoor lighting like building facades, parking areas, and perimeter lighting, where efficiency and consistent illumination matter most.

Dimensions



All Measurements in mm

Specifications

Part Number	Input Power	Input Voltage	Efficiency	CCT	Light Distribution	CRI	Certificates	Warranty
JH-RWPGW-52D	26W	100 – 277VAC	110LM/W	3K/4K/5K	120°	>70	ETL	5 Years