

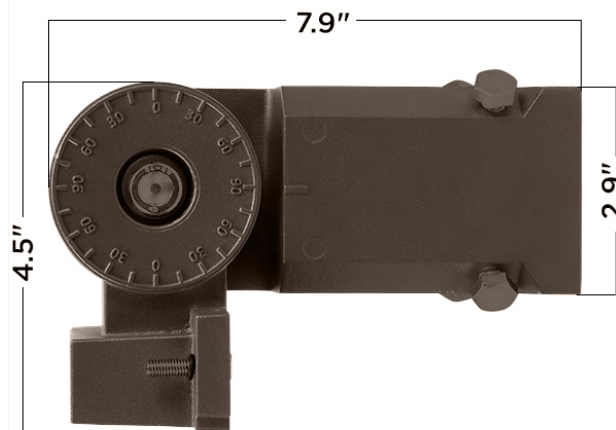
Slip Fitter Mount



PRODUCT DESCRIPTION

The 2 3/8 in. Slip fitter mount is designed to securely mount a light fixture onto a pole or a similar vertical structure. It allows for adjustable positioning of the light fixture to ensure proper aiming and coverage of the parking lot area. It is commonly used in outdoor lighting installations due to their flexibility and ease of adjustment

Dimensions



Specifications

| Part Number | Weight (lbs.) | Capacity (lbs.) | Mount | Material | Warranty | Certificates |
|--------------|---------------|-----------------|---------------------|----------|----------|--------------|
| JH-SBSBR-82F | 2 lbs. | 110 | Parking Lot Fixture | Aluminum | 1 Year | ETL |