

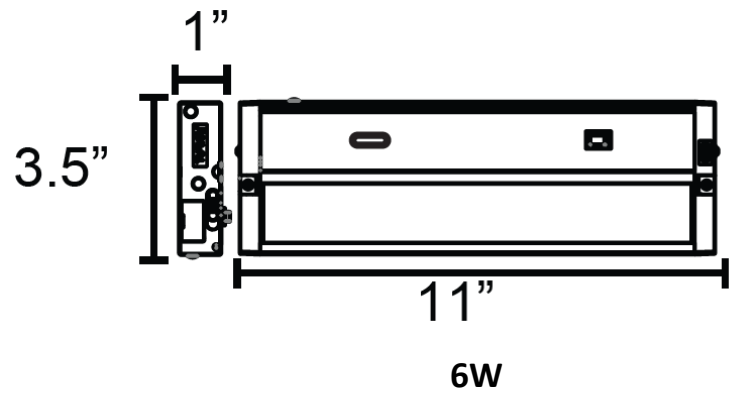
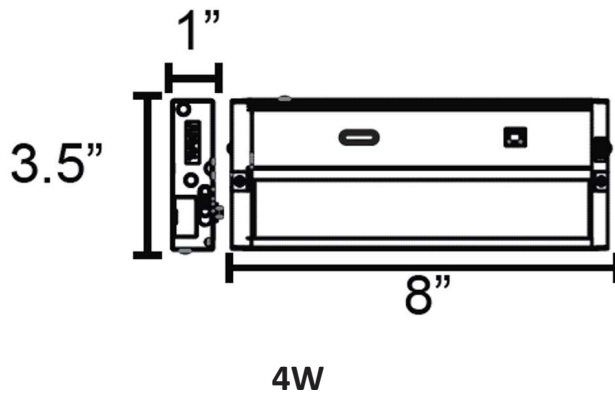
## Plug-in LED Under Cabinet Light



### PRODUCT DESCRIPTION

This under-cabinet LED light is a direct replacement for standard fixtures, featuring an on/off switch and a 5 CCT selector (27k, 30k, 35k, 40k, 50k). Ideal for apartments transitioning to LED, it offers efficient, maintenance-free lighting. Perfect for homes, offices, and displays, it provides focused illumination for tasks and accents, with a sleek design that seamlessly fits under cabinetry.

### Dimensions



### Specifications

Part Number	Input Power	Input Voltage	Efficiency	CCT Selectable	Light Distribution	CRI	Certificates	Warranty
JH-SPLGW-52Y	4W	120VAC	60	27/30/35/40/50k	120°	>90	ETL	5 Years
JH-SPLGW-52Z	6W	120VAC	60	27/30/35/40/50k	120°	>90	ETL	5 Years